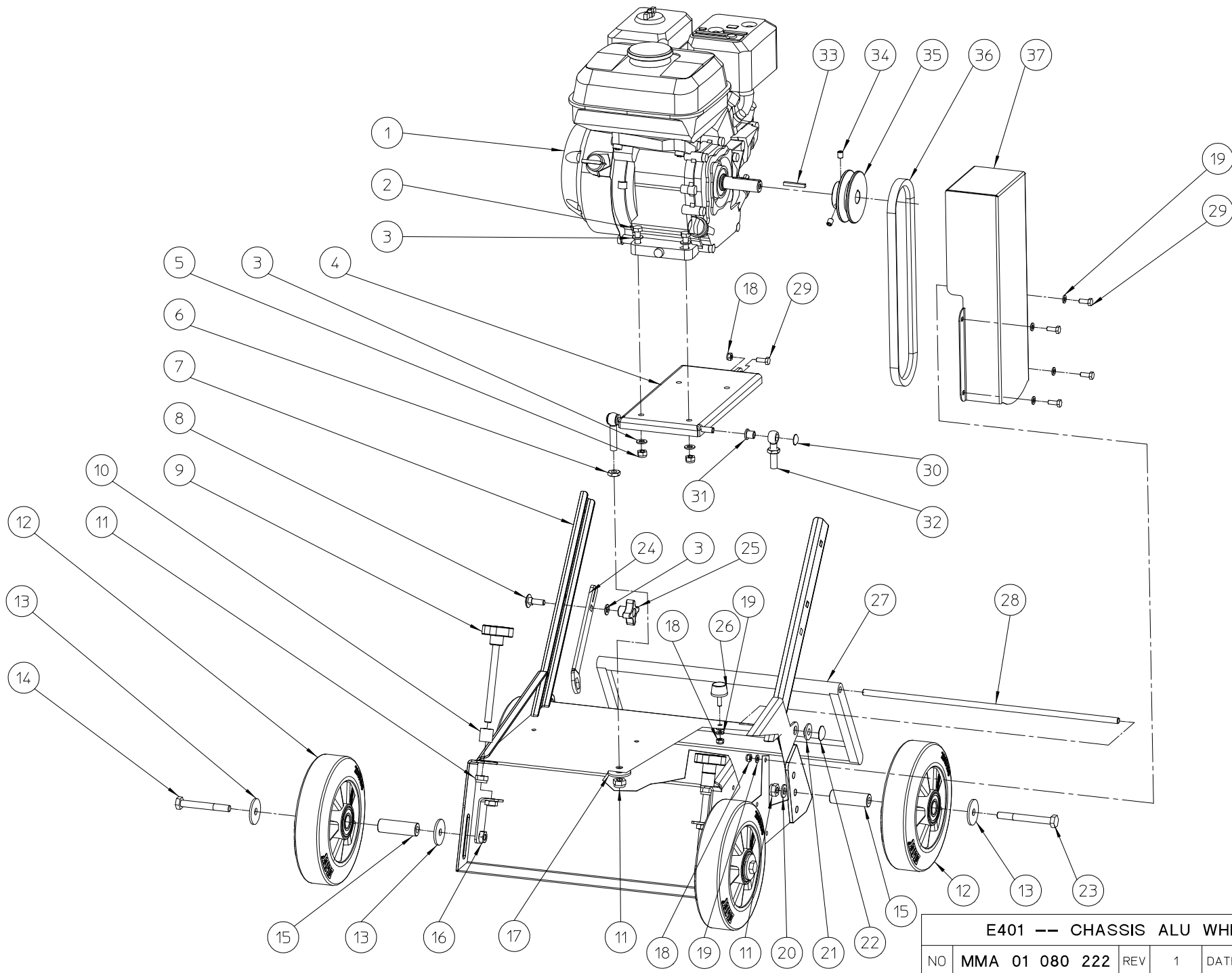


E 401 -- GENERAL						
NO	MMA 01 080 200	REV	1	DATE	2016/02/08	

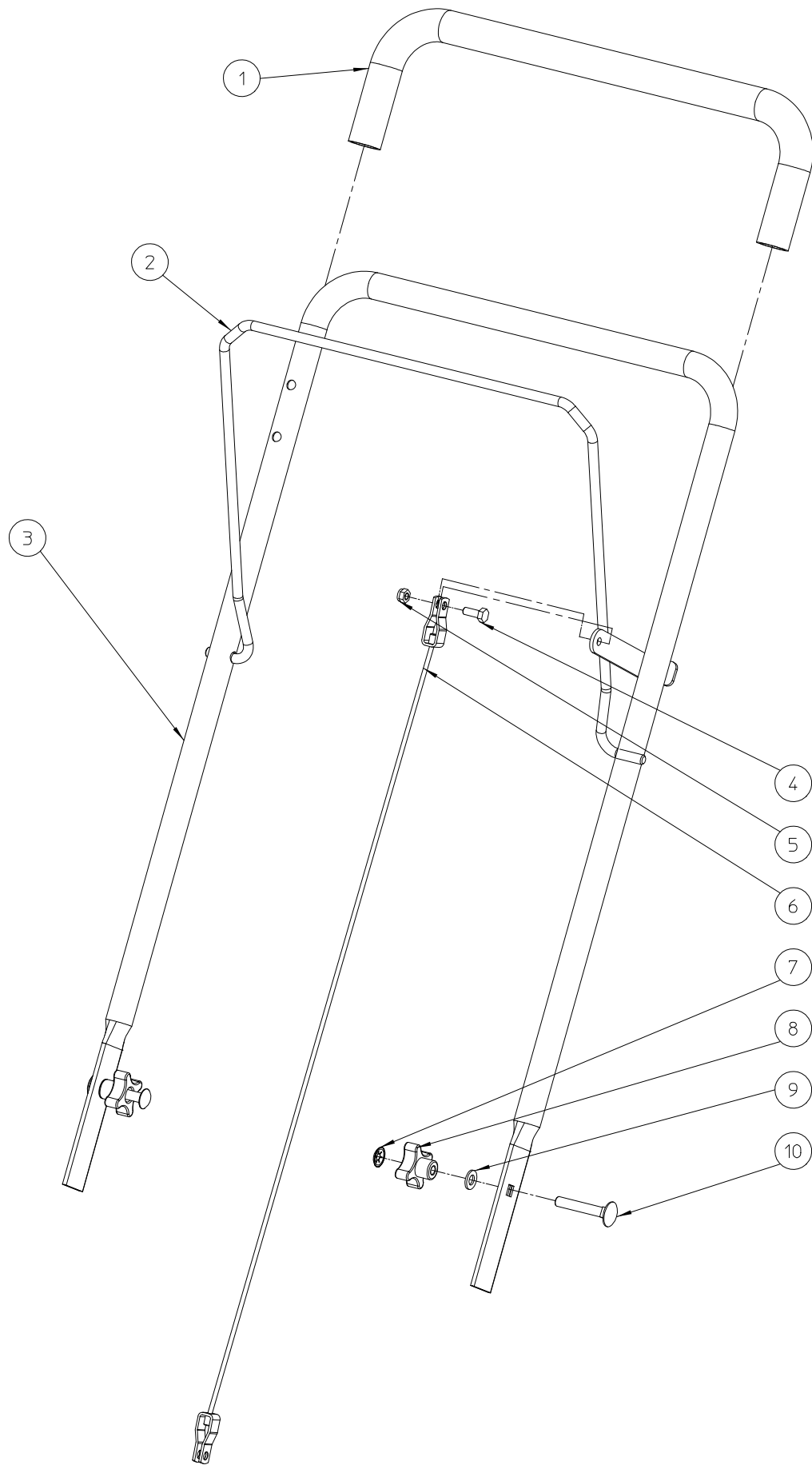
#	Order nr	article description	quantity
1	MMA 01 080 222	chassis	1
2	MMA 01 080 230	standard steer	1
3	MMA 01 080 210	folding handlebars	1
4	MMA 01 080 110	rotor fixed knives	1
5	MMA 01 080 140	kit collecting bag	1
6	MMA 01 080 404	stickers eliet	1



E401 -- CHASSIS ALU WHEELS

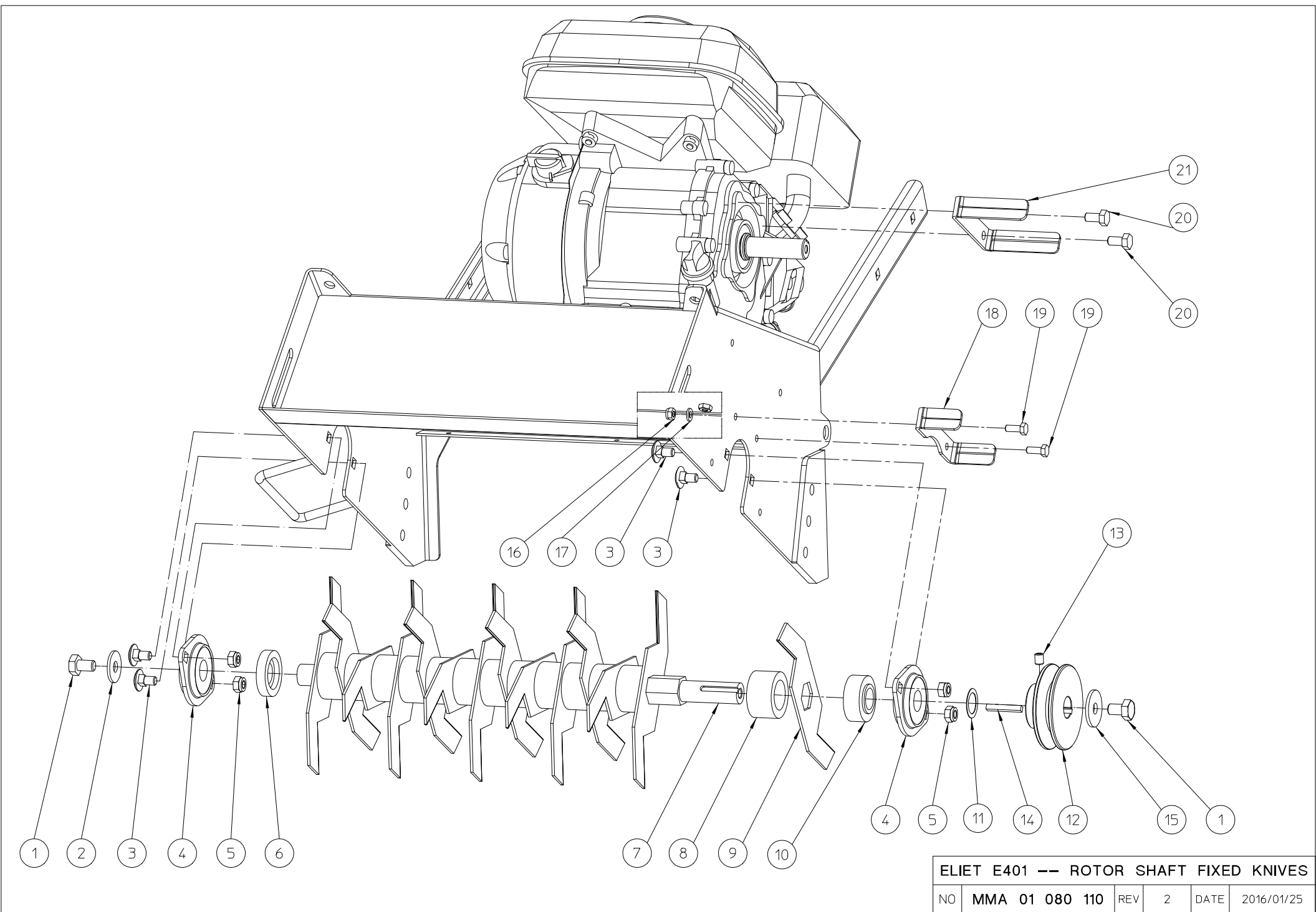
NO	MMA 01 080 222	REV	1	DATE	2016/02/02
----	----------------	-----	---	------	------------

#	Order nr	article description	quantity
1	BM 202 104 000	honda gx 120	1
2	BS 511 000 835	bolt m8x35 din 931	4
3	BS 531 000 800	washer m8 din 125	9
4	MPA 01 080 150	engine plate (combustion engine)	1
5	BS 502 000 800	self locking nut m8 din 985	4
6	BS 501 901 000	nut m10 din 439	2
7	MPA 01 080 100	chassis	1
8	BS 554 100 825	bolt m8x25 din 603	1
9	BN 630 210 500	lob knob 189-50 m10x120	2
10	BR 111 102 010	nylon bushing (10/20x20)	2
11	BS 502 001 000	self locking nut m10 din 985	6
12	BW 320 020 000	front wheel alu 200/50-60 (e 501 pro)	4
13	BS 532 010 406	washer m10x40x3	6
14	BS 511 001 048	bolt m10x80 din 931	2
15	MPA 01 110 610	wheel shaft	4
16	MPA 01 080 220	front wheel holder	2
17	BS 532 010 356	washer m10x35x3	2
18	BS 502 000 600	self locking nut m6 din 985	6
19	BS 531 000 600	washer m6 din 125	9
20	BS 531 001 000	washer m10 din 125	2
21	BR 112 100 600	nylon bushing with collar (10/13.5/25x6/2.5)	2
22	BB 011 000 090	starlock 9mm	2
23	BS 511 001 049	bolt m10x90 din 931	2
24	MPA 01 080 240	wrench 17	1
25	BN 630 808 400	lob knob 188-40 m8	1
26	BR 600 425 170	antivibration blocks 25x17b m6x18	1
27	BR 900 000 500	protection cover	1
28	MPA 01 080 260	rod 9mm deflector	1
29	BS 512 000 616	bolt m6x16 din 933	5
30	BB 011 000 080	starlock 8mm	2
31	BR 112 081 300	nylon bushing with collar (8/11/16x13/2)	2
32	BS 551 101 042	eye bolt m10x50 din 444	2
33	BB 342 050 535	key 4.7x4.7x35 din 6880	1
34	BS 023 000 810	set screw m8x10 din 916	2
35	BA 565 707 502	pulley spa 75x3/4"x3/16" (engine)	1
36	BA 521 207 490	belt xpa	1
37	MPA 01 080 170	transmission guard (combustion engine)	1



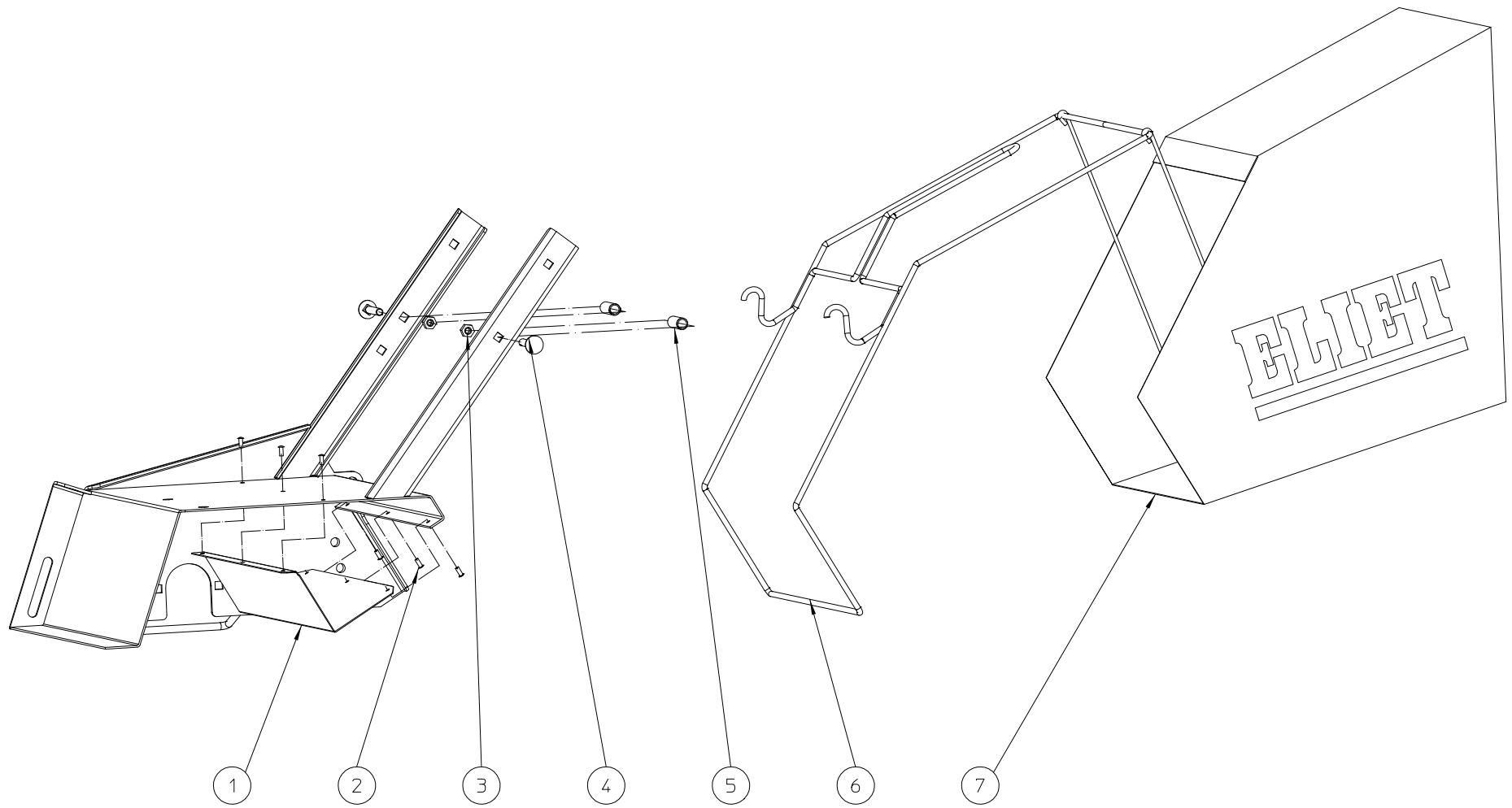
E401 -- HANDLEBAR					
NO	MMA 01 080 230	REV	1	DATE	2016/02/17

#	Order nr	article description	quantity
1	BN 231 001 070	soft rubber grip dia 22mm (l=700mm)	1
2	BS 531 000 600	washer m6 din 125	2
3	BS 512 000 616	bolt m6x16 din 933	1
4	BS 502 000 600	self locking nut m6 din 985	1
5	BK 152 250 820	cable 2.5x820mm	1
6	MPA 01 090 320	ring of locking	2
7	BR 020 501 220	tube cap Ø 22mm	2
8	BS 554 100 841	bolt m8x45 din 603	2
9	BS 531 000 800	washer m8 din 125	4
10	BS 502 000 800	self locking nut m8 din 985	4
11	MPA 01 080 610	support folding handlebars	1
12	BS 554 100 820	bolt m8x20 din 603	2
13	BR 625 020 100	rubber foot	2
14	BB 221 004 100	pop plug steel 3.9x10	2
15	MPA 01 080 700	folding handlebars	1
16	MPA 01 360 050	clutch handle	1



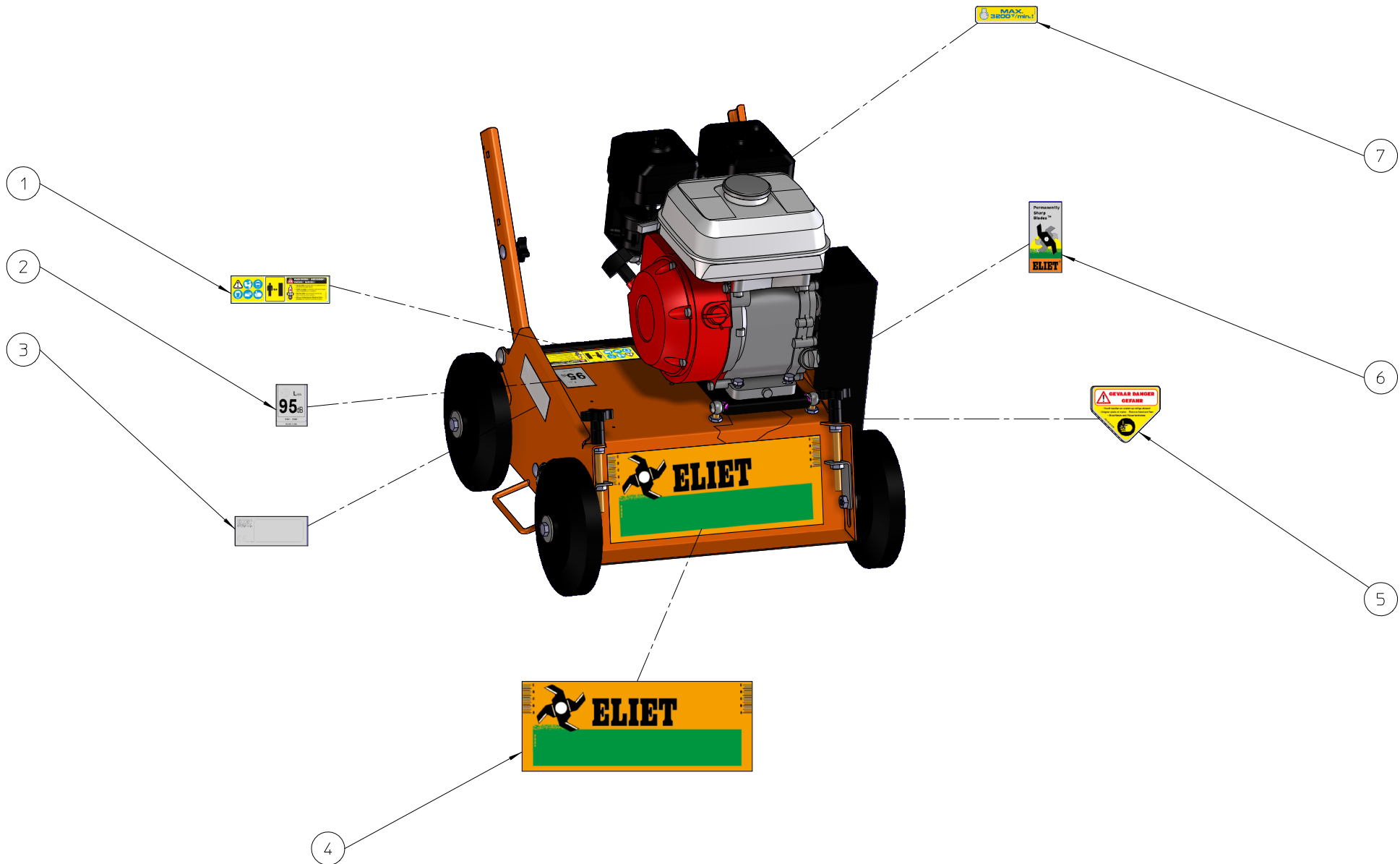
ELIET E401 -- ROTOR SHAFT FIXED KNIVES					
NO	MMA 01 080 110	REV	2	DATE	2016/01/25

#	Order nr	article description	quantity
1	BS 512 001 016	BOLT M10X16 DIN 933	2
2	BS 532 010 305	WASHER M10X30X2.5	1
3	BS 554 100 816	BOLT M8X16 DIN 603	4
4	BL 801 102 000	BEARING + FLANGES CSPFL 204	2
5	BS 502 000 800	SELF LOCKING NUT M8 DIN 985	4
6	MPA 01 080 510	SPACER RING 20X45X10MM	2
7	MPA 01 080 500	BLADE SHAFT	1
8	BR 111 292 510	NYLON BUSHING (28.5/44X25)	13
9	BU 402 100 101	SET OF FIXED KNIVES (14)	1
10	MPA 01 080 920	NYLON BUSHING	1
11	MPA 01 080 520	NYLON BUSHING	1
12	BA 565 707 503	PULLEY SPA 75X20X5 (ROTOR)	1
13	BS 023 000 810	SET SCREW M8X10 DIN 916	2
14	BB 341 050 535	KEY 5X5X35 DIN 6880	1
15	BS 532 010 356	WASHER M10X35X3	1

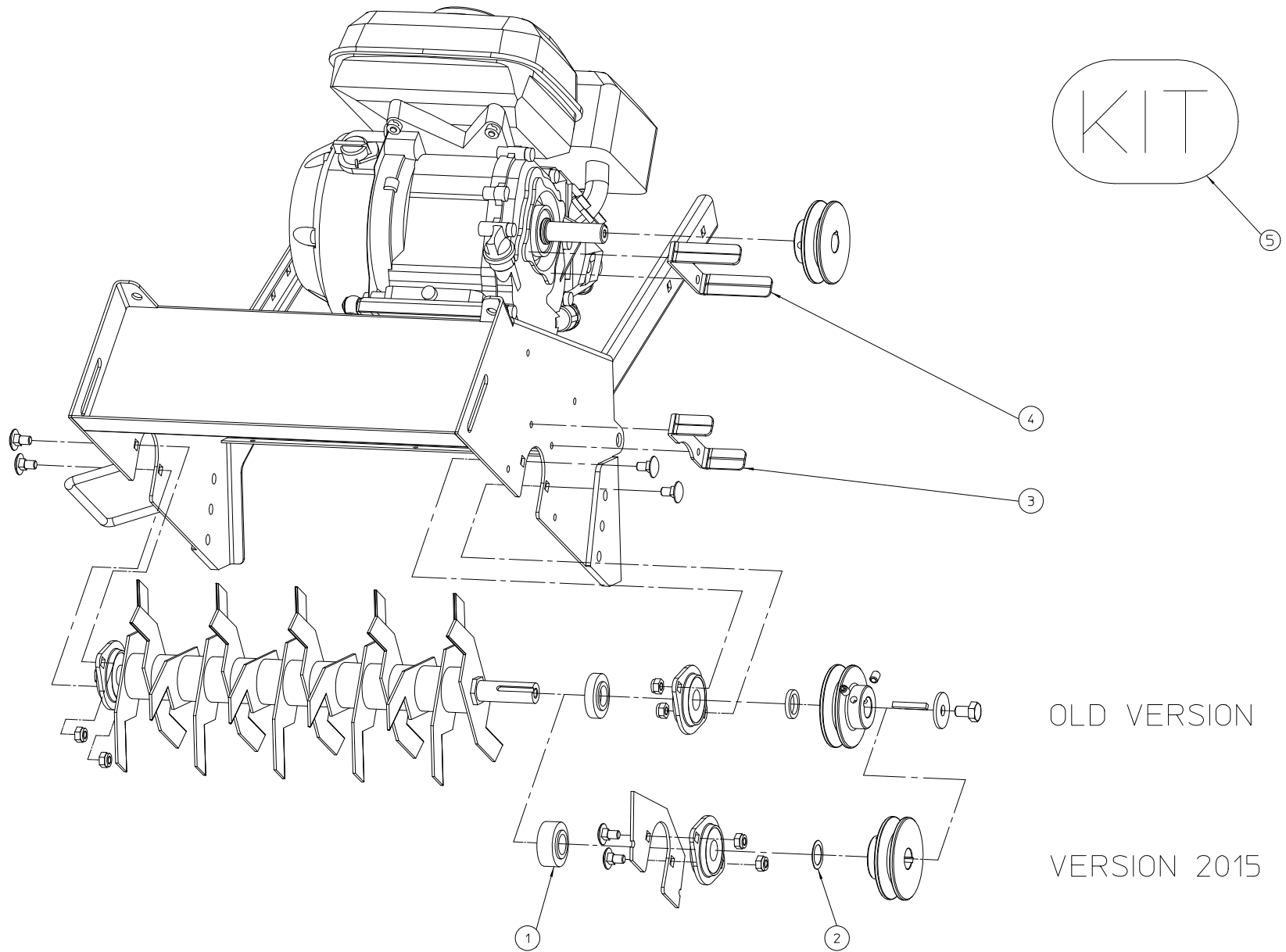


ELIET E401 -- KIT COLLECTING BAG						
NO	MMA 01 080 140	REV	2	DATE	2009/09/24	

#	Order nr	article description	quantity
1	MPA 01 080 290	deflector	1
2	BB 221 004 100	pop plug steel 3.9x10	6
3	BS 501 000 800	nut m8 din 934	2
4	BS 554 100 842	bolt m8x50 din 603	2
5	MPA 01 080 280	bushing 16x8x40	2
6	MPA 01 080 270	frame for collecting bag	1
7	BQ 348 080 010	collecting bag	1

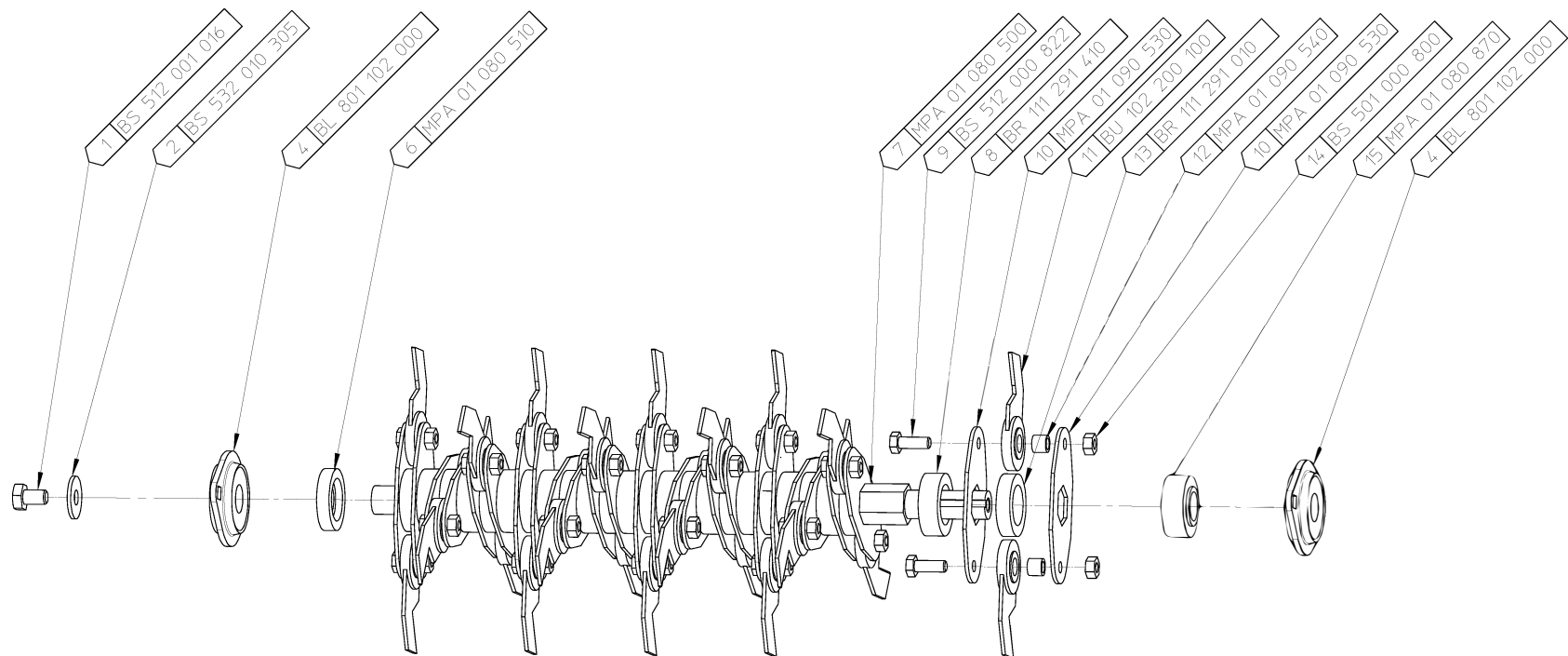


E 401 -- STICKERS ELIET						
NO	MMA 01 080 404	REV	1	DATE	2016/02/02	



E 401 -- KIT ROTOR PETROL 2015					
NO	MA 007 001 003	REV	1	DATE	2015/05/20

#	Order nr	article description	quantity
1	MPA 01 080 870	spacer ring e401 2015	1
2	BS 036 002 005	fitting ring 20x28x0.5mm din 988	1
3	MPA 01 080 880	belt catcher pulley rotor	1
4	MPA 01 080 890	belt catcher pulley engine essence	1



SET LOOSE KNIVES (26x BU 102 200 100 + 26x MPA 01 090 540)

= BU 402 200 101

SET LAME MOBILI (26 x BU 102 200 100 + 2 6x MPA 01 090 540)

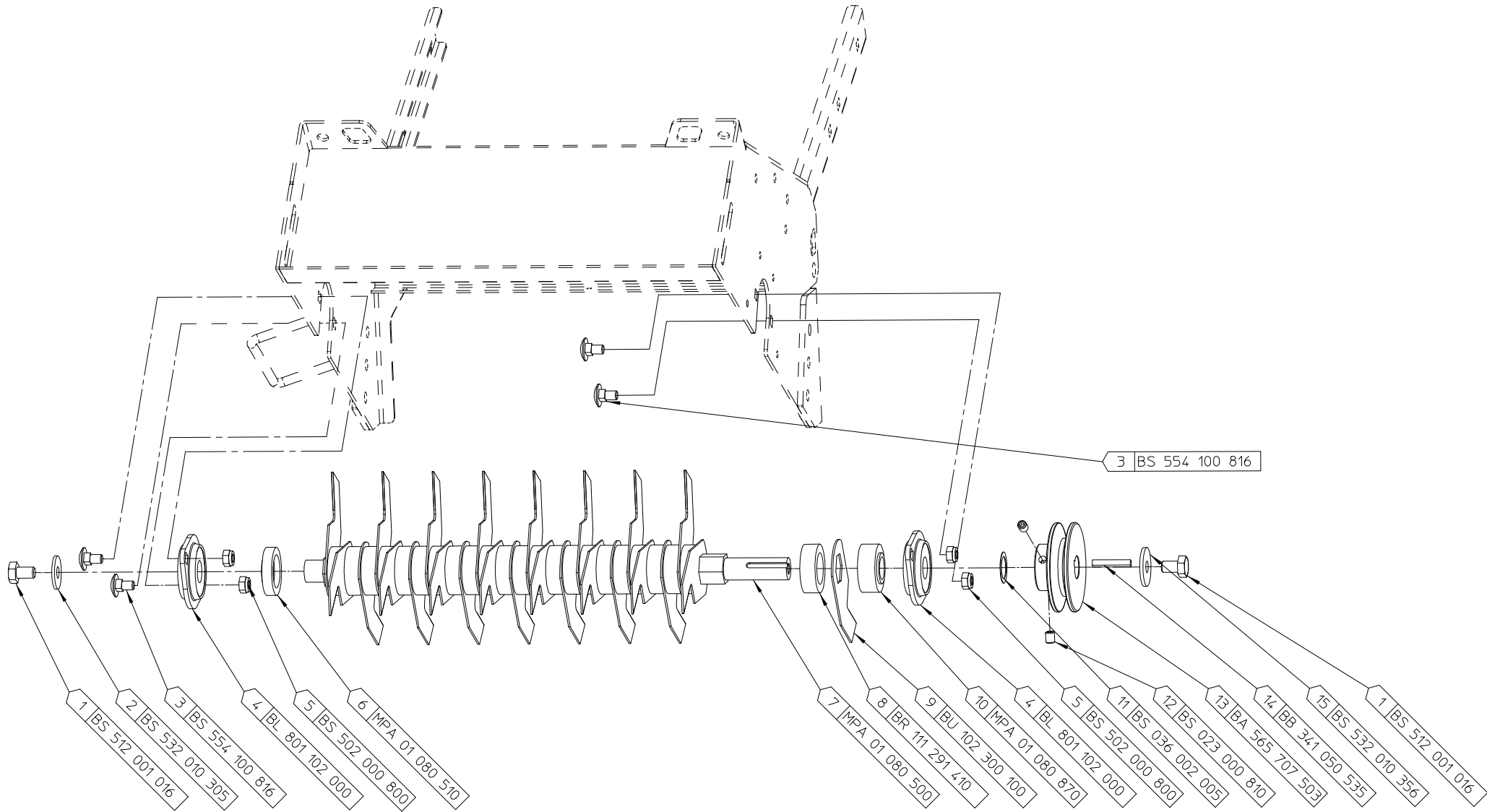
= BU 402 200 101

E401 – ROTOR LK

NO	MSA 01 080 120	REV	1	DATE	2018/09/24
----	-----------------------	-----	---	------	------------

SET DC KNIVES (24) = BU 402 300 101

SET LAME DOPPIE (24) = BU 402 300 101



ELIET E401 – ROTOR SHAFT DC				
NO	MMA 01 080 113	REV	1	DATE 2018/09/24